

SUN2000-100KTL-M1

Smart String Inverter



10
MPP Trackers

98.8%
Max. Efficiency

VA
String-level
Management

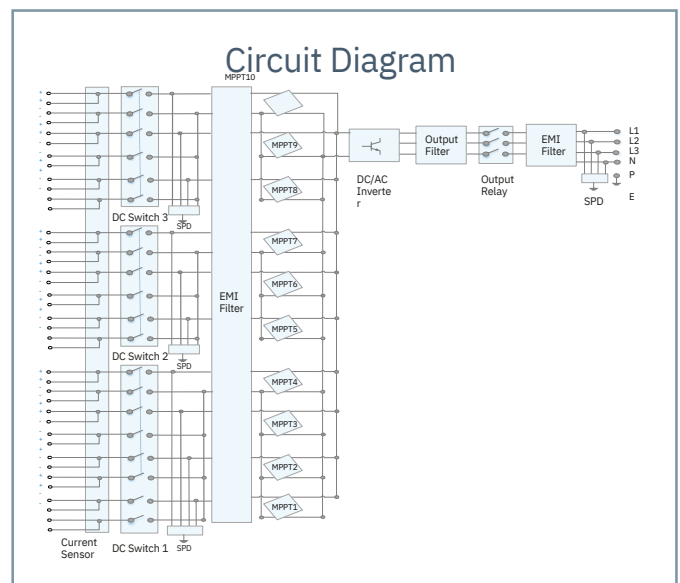
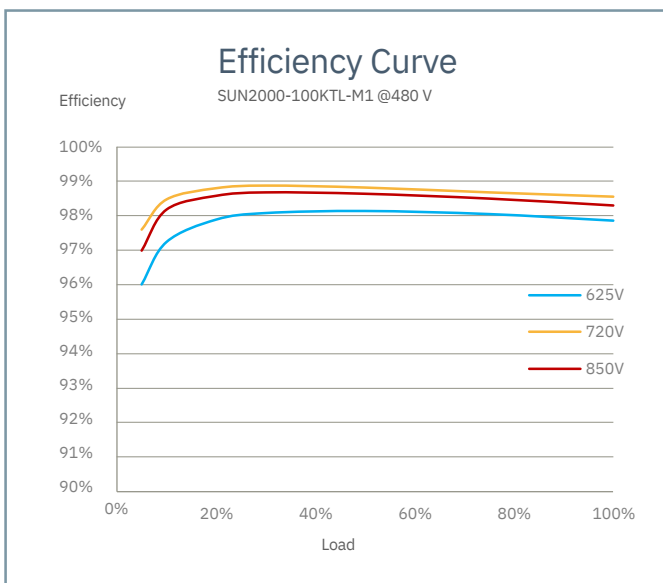
Smart I-V Curve
Diagnosis Supported

MBUS
Supported

Fuse Free
Design

Surge Arresters for
DC & AC

IP66
Protection



Technical Specifications

Efficiency	
Max. Efficiency	98.8% @480 V; 98.6% @380 V / 400 V
European Efficiency	98.6% @480 V; 98.4% @380 V / 400 V
Input	
Max. Input Voltage	1,100 V
Max. Current per MPPT	26 A
Max. Short Circuit Current per MPPT	40 A
Start Voltage	200 V
MPPT Operating Voltage Range	200 V ~ 1,000 V
Nominal Input Voltage	570 V @380 V; 600 V @400 V; 720 V @480 V
Number of Inputs	20
Number of MPP Trackers	10
Output	
Nominal AC Active Power	100,000 W (380 V / 400 V / 480 V@40°C)
Max. AC Apparent Power	110,000 VA
Max. AC Active Power (cosφ=1)	110,000 W
Nominal Output Voltage	220 V / 230 V, default 3W + N + PE; 380 V / 400 V / 480 V, 3W + PE
Rated AC Grid Frequency	50 Hz / 60 Hz
Nominal Output Current	152.0 A @380 V; 144.4 A @400 V; 120.3 A @480 V
Max. Output Current	168.8 A @380 V; 160.4 A @400 V; 133.7 A @480 V
Adjustable Power Factor Range	0.8 LG ... 0.8 LD
Max. Total Harmonic Distortion	<3%
Protection	
Input-side Disconnection Device	Yes
Anti-islanding Protection	Yes
AC Overcurrent Protection	Yes
DC Reverse-polarity Protection	Yes
PV-array String Fault Monitoring	Yes
DC Surge Arrester	Type II
AC Surge Arrester	Type II
DC Insulation Resistance Detection	Yes
Residual Current Monitoring Unit	Yes
Communication	
Display	LED Indicators, APP
USB	Yes
RS485	Yes
MBUS	Yes (isolation transformer required)
General	
Dimensions (W x H x D)	1,035 x 700 x 365 mm (40.7 x 27.6x 14.4 inch)
Weight (with mounting plate)	90 kg (187.4 lb.)
Operating Temperature Range	-25°C ~ 60°C (-13°F ~ 140°F)
Cooling Method	Smart Air Cooling
Max. Operating Altitude without Derating	4,000 m (13,123 ft.)
Relative Humidity	0 ~ 100%
DC Connector	StaubliMC4
AC Connector	Waterproof Connector + OT/DT Terminal
Protection Degree	IP66
Topology	Transformerless
Certificate	Standard Compliance (more available upon request) CE, UL116, IEC 61727, IEC 60068, IEC 61683